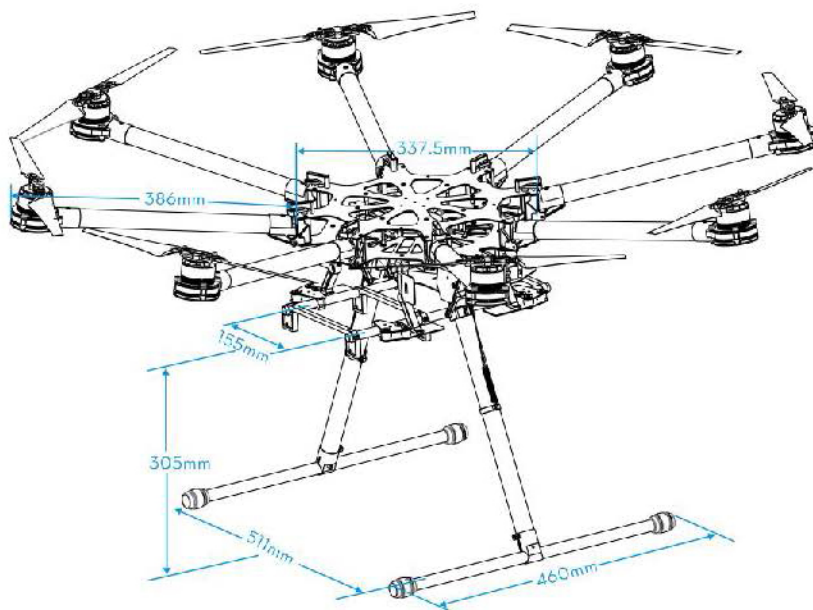


## DJI S1000

The S1000 is designed for professional aerial photography and cinematography. It is user friendly, safe, stabilized and easy to fly while its integrated design makes assembly and configuration simple and fast. Retractable landing gear, vibration dampers, small frame arm incline and minimalized gimbal mount allows for a clear 360 degree view from the camera. An integrated power hub with patented coaxial connectors, built-in high-speed ESCs and motors with high efficiency propellers ensure dynamic stability and maximized power efficiency. Used with a professional DJI multi-rotor autopilot system, the S1000 can hover and fly reliably making it ideal for photography and cinematography.



---

### Locations

Orlando, FL  
Miami, FL  
New Orleans, LA  
Atlanta, GA  
Wilmington, NC  
New York, NY  
Albuquerque, NM  
Los Angeles, CA

### Contact

West Coast: 1-888-80CRANE  
East Coast: 1-888-CRANE52  
Local: 1-941-492-9175  
Fax: 1-818-475-5406  
Email: [info@cinemoves.com](mailto:info@cinemoves.com)

### Cinemoves Europe

654 Props Building Pinewood Studios  
Iver Heath  
Bucks  
SLO ONH  
UK  
[Eugene@cinemoves.com](mailto:Eugene@cinemoves.com)  
+44 0173 785 673 - office  
+44 7860 920720 - mobile



# CINEMOVES

THE ART OF CAMERA MOVEMENT

## DJI S1000

### Specifications

| Frame  |   |
|--|---|
| Diagonal Wheelbase   | 1045mm  |
| Frame Arm Length   | 386mm   |
| Frame Arm Weight<br>(with Motor, ESC, Propeller)                 | 325g  |
| Center Frame Diameter  | 337.5mm   |
| Center Frame Weight (with Landing Gear<br>Mounting Base, Servos) | 1330g   |
| Landing Gear Size  | 460mm(Length)×511mm(Width)×305mm(Height)<br>(Top width: 155 mm) |
| Motor  |   |
| Stator Size  | 41×14mm   |
| kV   | 400rpm/V  |
| Max Power  | 500W  |
| Weight (with Cooling Fan)  | 158g  |
| ESC  |   |
| Working Current  | 40A   |
| Working Voltage  | 6S LiPo   |
| Signal Frequency   | 30Hz - 450Hz  |
| Drive PWM Frequency  | 8KHz  |
| Weight (with Radiators)  | 35g   |
| Foldable Propeller (I552/I552R)                                  |   |
| Material   | High strength performance engineered plastics                   |
| Size   | 15×5.2inch  |
| Weight   | 13g   |
| Flight Parameters  |   |
| Takeoff Weight   | 6.0Kg - 11.0Kg  |
| Total Weight   | 4.2Kg   |
| Power Battery  | LiPo (6S, 10000mAh-20000mAh, 15C(Min))                          |
| Max Power Consumption  | 4000W   |
| Hovering Power Consumption                                       | 1500W (@9.5Kg Takeoff Weight)                                   |
| Hovering Time  | 15min (@15000mAh& 9.5Kg Takeoff Weight)                         |
| Working Environment Temperature                                  | -10 °C - +40 °C   |

#### Locations

Orlando, FL  
Miami, FL  
New Orleans, LA  
Atlanta, GA  
Wilmington, NC  
New York, NY  
Albuquerque, NM  
Los Angeles, CA

#### Contact

West Coast: 1-888-80CRANE  
East Coast: 1-888-CRANES2  
Local: 1-941-492-9175  
Fax: 1-818-475-5406  
Email: [info@cinemoves.com](mailto:info@cinemoves.com)

#### Cinemoves Europe

654 Props Building Pinewood Studios  
Iver Heath  
Bucks  
SLOONH  
UK  
[Eugene@cinemoves.com](mailto:Eugene@cinemoves.com)  
+44 0173 785 673 - office  
+44 7860 920720 - mobile