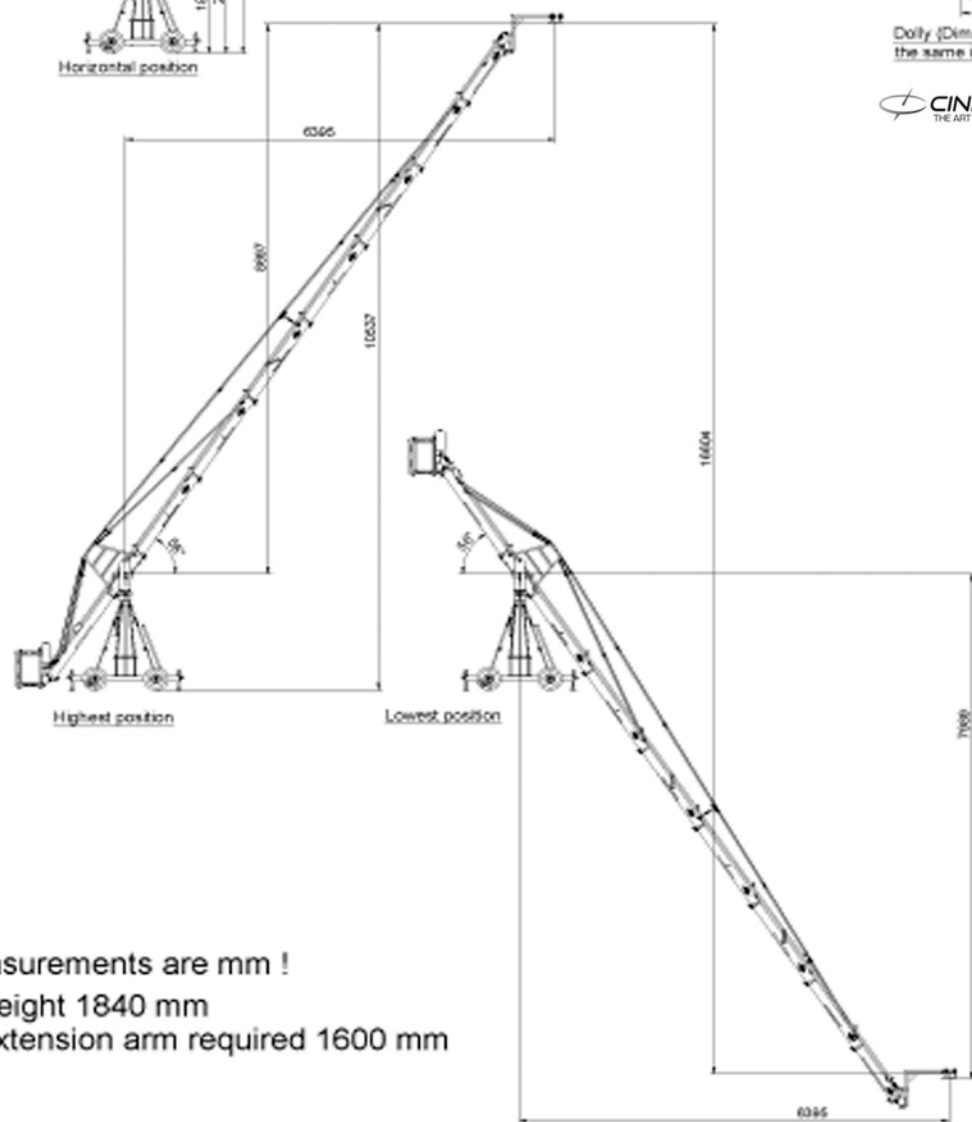


Dolly (Dimensions are the same in all versions)

**CINEMOVES**  
THE ART OF CAMERA MOVEMENT



All measurements are mm !  
Pivot height 1840 mm  
Rear extension arm required 1600 mm

Front extension arms required	5x1500 mm	Transport height of middle section, assembled	2080 mm
	1x1270 mm	Transport height of rigging harness assembled	2517 mm
	1x1000 mm	Counterweight required to balance empty arm	25x14 kg= 350 kg
Rear extension arm required	1x 1600 mm	Max. lift capacity (Working load)	50 kg
Total lift range	16604 mm	Counterweight required vor max. load	43x14 kg= 602 kg
Maximum height	10537 mm	Dolly weight	112 kg
Arm reach (pivot to camera head mount)	10831 mm	Crane weight (excluding dolly and weights)	282 kg
Length of rear end (pivot to outside of weight bucket)	2530 mm	Transport weight excluding counterweight	394 kg
Pivot height	1840 mm		



**GF 8-Specifications**

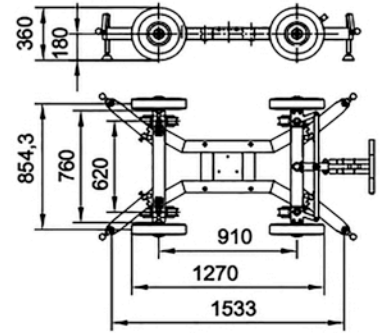
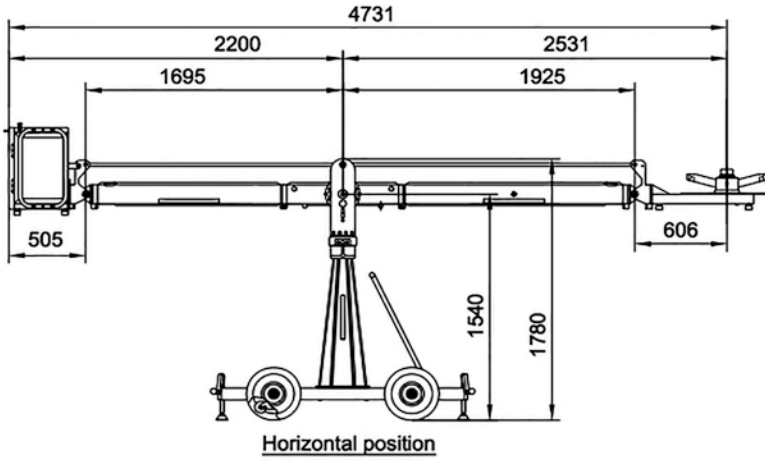
Version Xten 8

Datenblatt-Nr.:

D140-VXT8a

Name	Version	Auto	Color	Form	Zugehörige Zeichnungs-Nr.:
Crane	10.01.08	a	14.08.08	crane	
Client					

## GF 8' XTEN



Dolly (Dimensions are the same in all versions)

